

COMPANY
PROFILE

EVERSAFE PROTECTION
MUMBAI – 400 066.

234, BLUE ROSE INDUSTRIAL ESTATE, NEAR C. C. I.,
W. E. HIGHWAY, BORIVALI (E), MUMBAI – 400 066.
TEL.: 2854 18 63

INTRODUCTION

EVERSAFE PROTECTION is an Engineering Company specialised in Fire Protection field formed by professionally qualified engineer over a Decade.

This Company is basically Proprietary concern specialised for manufacturing and undertaking turnkey projects for protection of various Chemical Plants, Refineries, Oil Fields, and petrochemical Industries.

EVERSAFE PROTECTION

GENERAL INFORMATION

NAME : EVERS SAFE PROTECTION

YEAR OF REGISTRATION : 1991

REGD. (ADMIN.) OFFICE : 234, BLUE ROSE IND. EST.,
NEAR C. C. I., W. E. HIGHWAY,
BORIVALI (E), MUMBAI – 400 066.
TEL & FAX: 2854 18 63 / 5602 19 56.

FACTORY ADDRESS : UNIT 9, DIWAN & SHAH IND. EST. NO.4,
NAVGHAR, VASAI (E), THANE – 401 210.
TEL: 95 – 251 – 239 10 68.

PROPRIETOR : Mr. MILIND B. RANE

S. S. ID. REG. NO.: 112483367 T. 22-07-94

CENTRAL SALE TAX NO.: C. S. T. 400063/C/1545 DT. 1-4-96

BOMBAY SALE TAX NO.: B. S. T. 400063/S/1675 DT. 1-4-96

INCOME TAX PAN NO.: AADPR 7642 A

SERVICE TAX NO.: ST/MV/TIC/015/2003

SERVICE TAX NO.: ST/MV/CAI/026/2003

SERVICE TAX NO.: ST/MV/MRS/039/2003

ABOUT ORGANISATION

We are team of well experience & qualified engineers & technicians having excellent track record in the field of Fire Protection and Prevention. We are Designing, Making best layout drawings and approving from various approving Authority such as TAC, Fire Officer, Insurance Engineers, Supplying all sort of approved material, Erecting and Commissioning of complete Fire Fighting Systems.

Apart from turnkey projects we also do manufacturing various Safety And Fire Fighting Equipment such as water spray nozzles, monitors, sprinklers, hose reels, etc. The detail list of the equipment manufactured by us is enclosed.

We also undertake various fabrication jobs at our works as per the client's requirement.

With manufacturing we are also a dealer for LIGHTTEX Brand ISI marked FIRE EXTINGUISHERS of all varieties and capacities.

EVERSAFE PROTECTION

PROJECTS

- 1) **FIRE HYDRANT SYSTEM:** This is the major fire extinguishing system consisting of water reservoir, water pump, underground pipes called main, hydrant valves, hose boxes with hoses and branch nozzles. Well-designed and maintained system is sufficient to extinguish any size of fire in industries or residential towers and complex.
- 2) **WATER SPRINKLER SYSTEM:** This is an automatic type system mounted on the ceiling of the rooms or storage yards having network of the feed pipes of various sizes and the automatic sprinklers. The pipe network is tapped to hydrant system or may also have separate pump set to supply water under pressure. In case of fire the sprinklers operate automatically and spray water at the base of the source of fire.
- 3) **WATER SPRAY SYSTEM:** This is a open type spray system same as sprinkler system but having control valve at the source and after operation of the control valve the all spray nozzle provide the spray of water in the solid / hollow conical type and flood the area under fire.
- 4) **FOAM SYSTEM:** This is a system basically used for Oil, and Oil based material where the foam is the best extinguishing media. This system is of various type depend on the type of the fire. The foam system is mostly used for storage tank protection.
- 5) **ALARM SYSTEM:** This system is electrical and electronically based having control panel, cabling and the detection device such as smoke detectors, manual call points, etc. The alarm system give the audible / visual alarm in case of fire with the indication of the area under fire.

EVERSAFE PROTECTION

LIST OF DESIGNED CONSULTATED PROJECTS

- 1) We are proud to say that Mr. Milind Rane has been deputed for Designing and consultation of Fire Protection Systems by **M/s Jacobs H & G Pvt. Ltd.** a Multinational company handling many project designing jobs.

The various Fire Protection System has been designed as per OISD / TAC Standards (Indian) and NFPA/ UL/ GM Standards (International) for the projects stated as under for **M/s Jacobs H & G Pvt. Ltd.:**

- a) **Terminal for Reliance Industries Ltd. at Hazira.**
 - b) **Terminal for Reliance Industries Ltd. at Bhopal.**
 - c) **NGL Recovery Plant for Saudi Arabian Oil Company at Aramco.**
 - d) **MG 3 Project for Lube Base Oil at Melaka, Malaysia.**
 - e) **C2 – C3 Project for L&T, at Dahej, in Gujarat.**
 - f) **IP Filling Station, at GNVFC, Bharuch, in Gujrat.**
 - g) **Naphtha Cracker Project for Indian Oil Corporation Ltd. at Panipat.**
- 2) Complete Fire Protection system for New Facility at **General Motors (India) Pvt. Ltd.** at Halol in Gujarat.
 - 3) Complete Fire Protection System for Effluent Treatment Plant for **IOCL, Panipat** for M/s Hindustan Dorr – Oliver Pvt. Ltd.

EVERSAFE PROTECTION

LIST OF PROJECTS EXECUTED

<u>Sr.</u>	<u>PROJECT DETAIL</u>	<u>VALUE OF PROJECT IN LAKH RS.</u>
1)	Automatic Foam System for NAPHTHA TANKS at IFFCO project, Avola For Anand Tank & Vessels	3.05
2)	Automatic Foam System for Indo Gulf Fertiliser at Jagdishpur	2.08
3)	Manually Operated Water Spray System for NOCIL Chiplun.	7.5
4)	Fire protection system for LPG bottling plant at BPCL Tuticorin in association with Davy Powergas Services (India)	6.75
5)	Manually operated foam system for Asian Paints India Pvt. Ltd. at Ankleshwar	8.1
6)	Medium Velocity Water Spray System for India Glycol Ltd at Kashipur	2.25
7)	Skid mounted Foam System for SPIC - Tuticorin.	2.23
8)	Medium Velocity Water Spray System for Glindia, Ankleshwar	2.95
9)	Automatic Water Spray And Sprinkler System for c3 pump house at BPCL at Mahul, Bombay	5.75
10)	Automatic Water Spray And Sprinkler System for LPG bullets at Tata Special Steel Ltd; Bombay	2.35
11)	High Velocity Water Spray And Sprinkler System at Air - India	2.3
12)	Fire Hydrants And Spray System for Alloy Steel Plant at Durgapur for Space Tech Equipment Co.	15.3
13)	Fire Hydrant System for Sterlite Industries at Silvassa	16.5
14)	Fire Hydrant System for Diamond Dychem Ltd. at Ankleshwar	12.8
15)	Hose Reel System for BCP Offshore Platform for HYUNDAI HEAVY INDUSTRIES, KOREA	16.75
16)	Water Spray System for additional LPG bullets for Tata Special Steel Ltd., at Bombay	8.5
17)	Sprinkler System for Bombay Dyeing Ltd., Bombay	1.25
18)	Fire Hydrant system for new DG plant at NRC ltd.at Mohone.	8.75
19)	Fire Hydrant system for new DG plant at Century Rayon plant At Shahad.	16.5
20)	Modification of Fire Hydrant system at TATA SSL Borivali.	8.45
21)	New Fire Hydrant system for AT plant at Century Rayon Shahad	8.5

EVERSAFE PROTECTION

LIST OF MACHINERY AT WORKS / PROJECT SITE			
Sr.	DETAIL OF MACHINE	SPECIFICATION	QTY.
1	Light Duty Lathe	4.5' long	1 no.
2	Heavy Duty Lathe	6' & 8' long	2 nos.
3	Pillar Drilling Machine	1" capacity	2 nos.
4	Hand Drilling Machine	¾" capacity	2 nos.
5	Welding Rectifier	600 Amps	2 nos.
6	Welding Transformers	400 Amps	3 nos.
7	Gas Cutting Set		2 nos.
8	Power Hack Saw	12" capacity	1 no.
9	Air Compressor	5 HP 100 PSI	1 no.
10	Hydraulic Testing Machine	Manual	2 nos.
11	Hydraulic Testing Machine	Electrical motor	1 no.
12	Bench Grinder		2nos,
13	Hand Grinder	AG 7	3 nos.
14	Hand Grinder	GQ 4	2 nos.
15	Hand Grinder	Mini	1 no.

EVERSAFE PROTECTION

**INSURANCE
ACCREDITATION
FOR FEA
INSPECTION**



दि न्यू इन्डिया एश्योरन्स कंपनी लिमिटेड
THE NEW INDIA ASSURANCE COMPANY LTD.

पंजीकृत कार्यालय : न्यू इन्डिया एश्योरन्स लिमिटेड, एच. जी. रोड, कोर्ट, मुंबई - ४०० ००१
Regd. Office : New India Assurance Bldg 87, M. G. Road, Fort, Mumbai - 400 001

Phone : 267 4617, 267 5111
Fax : 91-22-270 0470
Telegram : NIASSURANCE

HO: FIRE TECH

October 7, 2002
19.02.03

To

Eversafe Protection
B-201, Colson Regency - II;
Thakur Complex, Kandivali (E);
Mumbai - 400 101

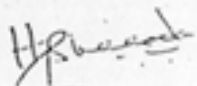
Kind Attn. Mr. Milind Rane.

Re : Accreditation of Professionals /
Professional Agencies for certifying FEA Discount.

We are pleased to inform you that your Agency has been accredited to our panel of Professionals / Professional Agencies for certifying FEA Discount.

You can approach to our Regional Offices / Divisional Offices to offer your services and even to the prospective Insureds desirous to install and avail FEA discount.

Our best wishes.


(H. SHETH)
MANAGER

Hs/sb/profes doc

MUM/UW/12123

24.11.2003

Eversafe Protection,
234 Blue Rose Industrial Estate,
W.E. Highway
Borivali (E)
Mumbai 400066

Re: Empanelment of Professional/Professional Agencies
For certifying FEA Installations

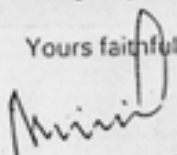
Dear Sir,

We hereby inform you that you are empanelled with our company to carry out inspection and certification of FEA installations.

You may approach our operating offices to offer your services for inspection and certification of FEA installations, as per the relevant regulations of TAC, confirming status and efficacy of the system.

You will not be inspecting /certifying the system wherever you were engaged in designing and/or installing the system.

Yours faithfully,


Authorized Signatory
Place: Mumbai

**ICICI Lombard General
Insurance Company Ltd.**

Zenith House,
Keshavrao Khadye Marg,
Mahalaxmi,
Mumbai - 400 034.

Tel : (022) 2492 4100

Fax : (022) 2492 7624

Website : www.icicilombard.com

Regn. Office : ICICI Bank Towers,

Bandra Kurla Complex, Mumbai 400 051, India.

EVERSAFE PROTECTION

LIST OF VALUABLE CLIENTS

<u>Sr.</u>	<u>NAME OF CLIENT</u>	<u>PLACE</u>
1)	M/S AIR INDIA	BOMBAY
2)	M/S ALLOY STEEL PLANT	DURGAPUR
3)	M/S CENTURY RAYON LTD.	KALYAN
4)	M/S DAVY POWERGAS SERVICES (PVT) LTD.	BOMBAY
5)	M/S DEVI FIRE SERVICES	SOLAPUR
6)	M/S DIAMOND DYCHEM LTD	ANKLESHWAR
7)	M/S ELDER PHARMACEUTICALS PVT. LTD.	PATALGANGA
8)	M/S GLINDIA	ANKLESHWAR
9)	M/S GRASIM INDUSTRIES. SFD DIVISION	NAGDA
10)	M/S GWALIOR CHEMICALS PVT. LTD.	NAGDA
11)	M/S HOTEL PRESIDENT	BOMBAY
12)	M/S HYDROTECH ENGINEERS	MADRAS
13)	M/S IFFCO PROJECT	AOVLA
14)	M/S INDIA GLYCOL LTD.	KASHIPUR
15)	M/S INDIAN OIL CORPORATION	MATHURA
16)	M/S INDO GULF FERTILISER	JAGDISHPUR
17)	M/S INNOVASYNTH TECHNOLOGIST PVT. LTD.	KHOPOLI
18)	M/S J.ROSALES PVT. LTD.	BOMBAY
19)	M/S KESAR ENTERPRISES LTD	KANDLA
20)	M/S KNIGHT FRANK	MUMBAI
21)	M/S MARINE HYDRAULICS	BOMBAY
22)	MIG CRICKET CLUB	MUMBAI
23)	M/S NATIONAL RAYON CORPORATION	KALYAN
24)	M/S NOCIL	CHIPLUN
25)	M/S PFIZER	BOMBAY
26)	M/S ROYAL INDIA CORPORATION	BOMBAY
27)	M/S SHRINIVAS STRUCTURE AND PLATES PVT.	BOMBAY

EVERSAFE PROTECTION

<u>Sr.</u>	<u>NAME OF CLIENTS</u>	<u>PLACE</u>
28)	M/S SM DYCHEM	BOMBAY
29)	M/S STERLITE INDUSTRIES	SILVASSA
30)	M/S TATA SPECIAL STEEL LTD.	BOMBAY
31)	M/S UPENDRA PRASAD SING AND CO.	BIHAR
32)	M/S VIJAY FIRE PROTECTION SYSTEM LTD	BOMBAY
33)	M/S VIJAY TANK AND VESSELS	BARODA
34)	M/S VISHAL ENTERPRISES	BOMBAY
35)	M/S WARTSILA NSD LTD.	BELAPUR

EVERSAFE PROTECTION

PRODUCTS

1) WATER SPRAY NOZZLES :

- a) Low Velocity Water Spray Nozzle ----- Data sheet no. 701-1
- b) Medium Velocity Water Spray nozzle ---- Data sheet no. 702-1
- c) High Velocity Nozzles ---- Data sheet no. 703- 1
- d) Curtain Nozzles ---- Data sheet no. 704-1
- e) Fog Nozzles ---- Data sheet no. 155-1
- f) Jet Nozzles ---- Data sheet no. 707 - 1
- g) Jet & Fog Nozzles ---- Data sheet no. 708- 1
- h) Branch nozzles ---- Data sheet no. 210- A
- i) Foam Sprinklers ---- Data sheet no. 681
- j) Revolving Head ---- Data sheet no. 710-A

2) WATER MONITORS :

- a) Water Monitor ---- Data sheet no. 510
- b) Foam Monitor ---- Data sheet no. 511
- c) Trolley Mounted Monitor ---- Data sheet no. 530
- d) Ground Monitor. ---- Data sheet no. 509
- e) Trailer Mounted Monitor ---- Data sheet no. 540
- f) Foam Monitor Skid ---- Data sheet no. 550

3) FOAM EQUIPMENT :

- a) Inline Inductors ---- Data sheet no. 610
- b) Foam Makers ---- Data sheet no. 630
- c) Foam Chambers ---- Data sheet no. 640
- d) Foam Tanks ---- Data sheet no. 650
- e) Foam Applicators ---- Data sheet no. 606
- f) Foam Branch Pipe ---- Data sheet no. 602
- g) Foam Generator ---- Data sheet no. 607
- h) Foam Trolley 100 Ltrs. ---- Data sheet no. 642

EVERSAFE PROTECTION

4) HOSE REELS :

- a) Wall Mounted Hose Reels ---- Data sheet no. 401
- b) Vehicle Mounted Hose Reels ---- Data sheet no. 422-1
- c) Trolley Mounted Hose Reels ---- Data sheet no. 422-2
- d) Utility Hose Reels ---- Data sheet no. 402
- e) Foam/Fire Water Hose Reels ---- Data sheet no. 403
- f) DCP Hose Reels ---- Data sheet no. 404

5) HOSE BOXES :

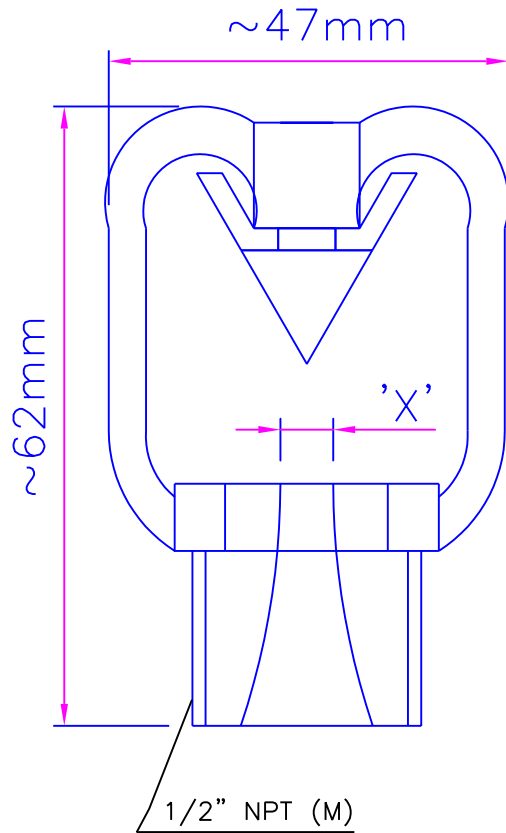
- a) Single Door Hose Boxes ---- Data sheet no. 231-1
- b) Double Door Hose Boxes ---- Data sheet no. 231- 2
- c) FRP Hose Boxes ---- Data sheet no. 232
- d) Extinguishers Boxes. ---- Data sheet no. 233

6) SPECIAL PURPOSE MACHINE :

- a) Quick Hose Dryer ---- Data sheet no. 997
- b) Hose Washers. ---- Data sheet no. 998

EVERSAFE PROTECTION

NOZZLES



MATERIAL OF CONSTRUCTION	
BODY	
1) BRASS	IS: 319 FORGED
2) NAVAL BRASS	IS: 291 FORGED
3) AL. BRONZE	BS:1400 AB2C
PIN	IS:319 / IS:291
DEFLECTOR	IS:410/IS:319

FINISH:	
1) NATURAL	
2) Ni - Cr. PLATING	
3) POWDER COATING	

MEDIUM VELOCITY WATER SPRAY NOZZLES ARE AVAILABLE IN ALL COMBINATIONS OF SPRAY ANGLES AND K FACTOR AS BELOW.

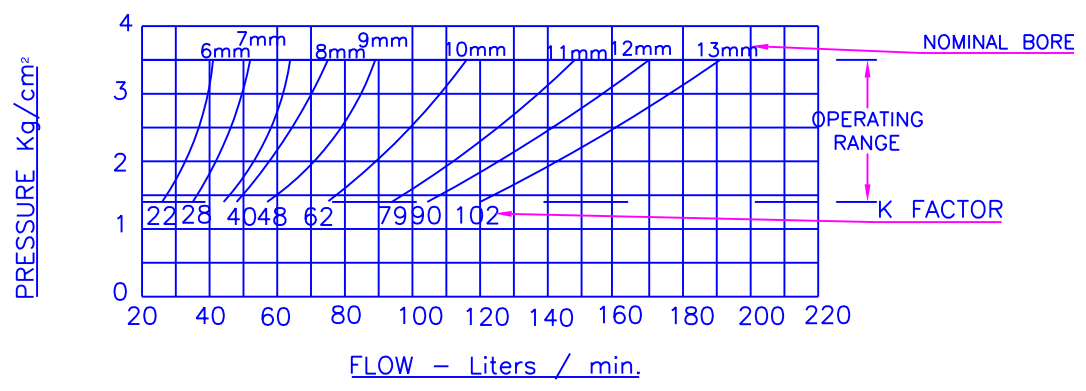
SPRAY ANGLES	'K' FACTOR	NOMINAL BORE 'X' (mm)
60°	22	6
75°	28	7
90°	40	8
100°	48	9
110°	62	10
120°	78	11
140°	90	12
180°	102	13

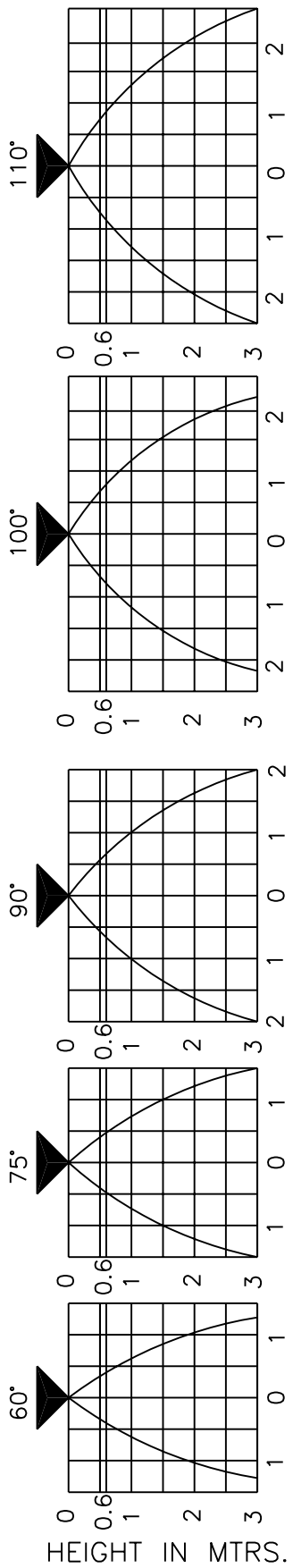
WORKING PRESSURE
1.4 TO 3.5 Kg/cm²

NOZZLE WEIGHT ≈ 160 gm.

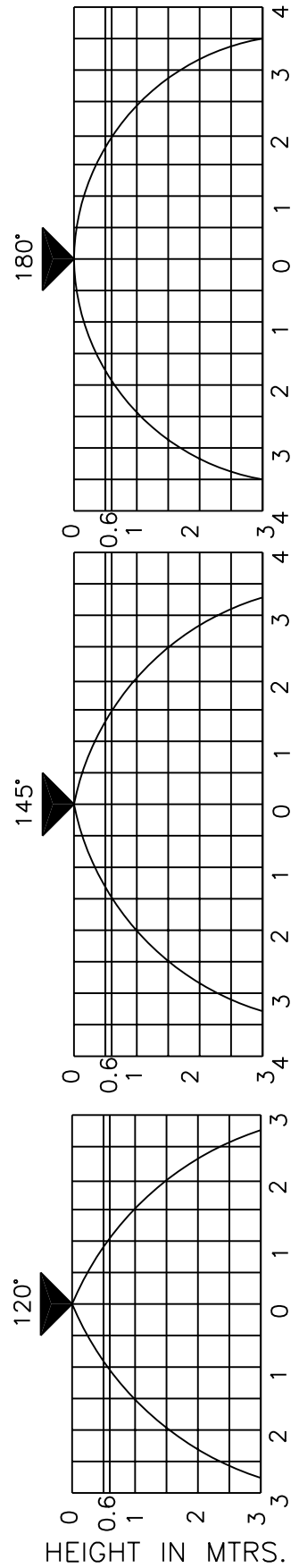
$$K \text{ FACTOR} = \frac{\text{FLOW (lit/min)}}{\sqrt{\text{PRESSURE}}}$$

WHEN ORDERING PLEASE STATE:
1) BORE SIZE
2) SPRAY ANGLE
3) MATERIAL REQUIRED.



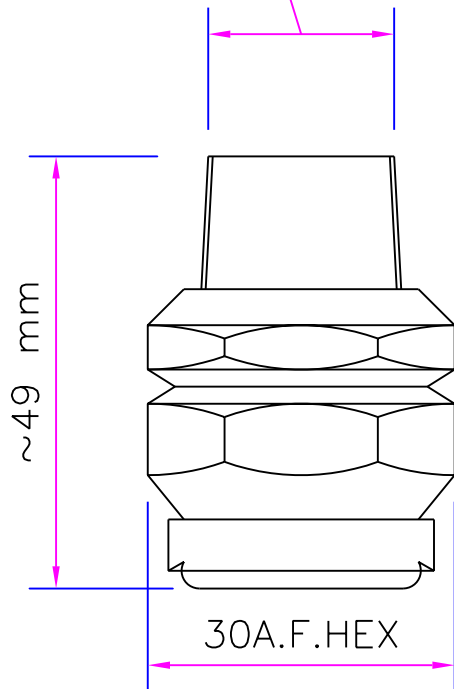


SPRAY PATTERN FOR ORIFICE SIZE 6 TO 13mm @ WORKING PRESSURE 1.4 TO 3.5 Kg/cm²



SPRAY PATTERN FOR ORIFICE SIZE 6 TO 13mm @ WORKING PRESSURE 1.4 TO 3.5 Kg/cm²

1/2"BSPT(M)



MATERIAL OF CONSTRUCTION	
1) BRASS	IS: 319 FORGED
2)NAVAL BRASS	IS: 291 FORGED
3) AL. BRONZE	BS:1400 AB2C

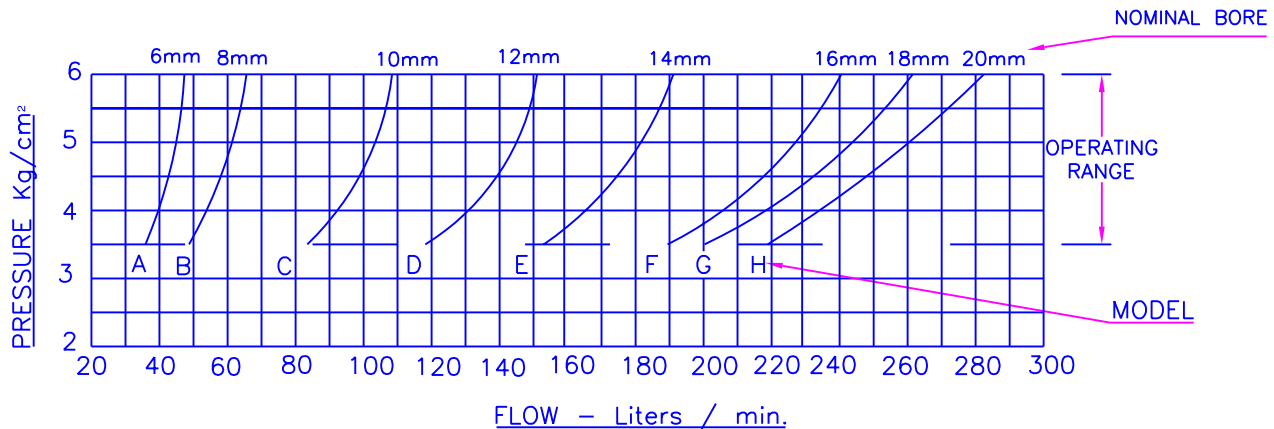
FINISH:
1) NATURAL
2) Ni - Cr. PLATING
3) POWDER COATING

HIGH VELOCITY WATER SPRAY NOZZLES ARE AVAILABLE IN VARIOUS MODELS AND K FACTOR AS BELOW.		
MODEL	'K' FACTOR	NOMINAL BORE 'X' (mm)
A	18	6
B	26	8
C	44	10
D	61	12
E	78	14
F	99	16
G	107	18
H	115	20

WORKING PRESSURE
3.5 TO 6.0 Kg/cm²

$$K \text{ FACTOR} = \frac{\text{FLOW (lit/min)}}{\sqrt{\text{PRESSURE}}}$$

WHEN ORDERING PLEASE STATE:
1) BORE SIZE
2) MODEL
3) MATERIAL REQUIRED.



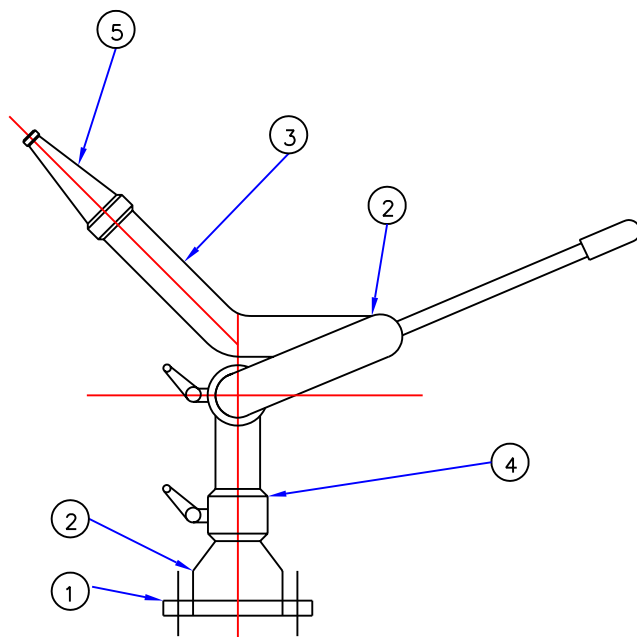
EVERSAFE
PROTECTION

H.V.WATER SPRAY NOZZLE

DATA SHEET.NO.
703-1

EVERSAFE PROTECTION

MONITORS



MATERIAL OF CONSTRUCTION:

Sr.	DESCRIPTION	MATERIAL SPEC.
1)	BASE FLANGE	M.S. TO IS:226
2)	BENDS & REDUCER	M.S. TO ANSI B 16.9
3)	PIPES	M.S. SEAMLESS 40 SCH.
4)	SWIVEL JOINT	COPPER ALLOY IS: 318, LTB II
5)	NOZZLE	AL. ALLOY IS:617

MAX. WORKING PRESSURE : 15 Kg/cm²
 HYDRAULIC TEST PRESSURE : 25 Kg/cm²
 INLET FLANGE : 100 NB 150# RATING TO ASA /BS/IS SPEC.
 ROTATION : HORIZONTAL = 360° / VERTICAL = +105°, -60°
 FINISH : COMPLETE BODY IS HOT DIP GALVANISED & PAINTED WITH ONE COAT OF PRIMER AND TWO COATS OF ANTICORROSIVE FIRE RED ENAMLE PAINT.

PERFORMANCE DATA:

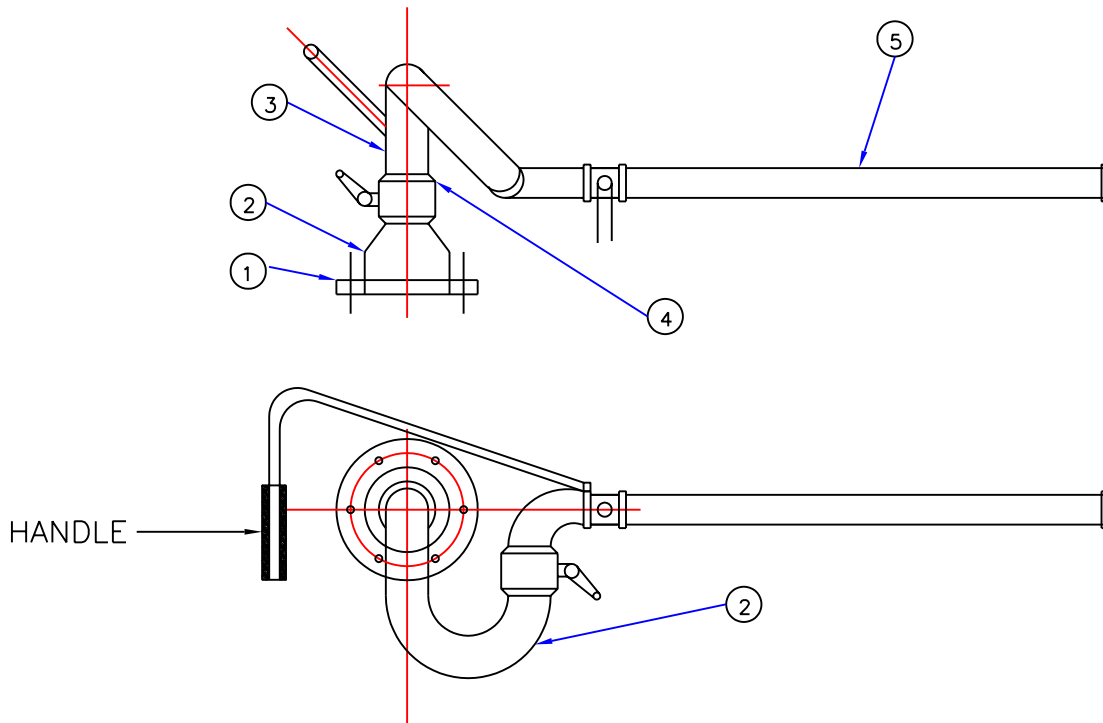
MODEL	SIZE N.B.	CAPACITY @7Kg/cm ²	RANGE			
			HORIZONTAL		VERTICAL	
			Mtrs.	Ft.	Mtrs.	Ft.
EP-WM-A	50 NB	1500 LPM	45	148	25	82
EP-WM-B	65 NB	1750 LPM	53	175	30	99
EP-WM-C	75 NB	2580 LPM	60	198	34	112
EP-WM-D	100 NB	3500 LPM	64	211	36	118

EVERSAFE
PROTECTION

WATER MONITOR

DATA SHEET.NO.

510



MATERIAL OF CONSTRUCTION:

Sr.	DESCRIPTION	MATERIAL SPEC.
1)	BASE FLANGE	M.S. TO IS:226
2)	BENDS & REDUCER	M.S. TO ANSI B 16.9
3)	PIPES	M.S. SEAMLESS 40 SCH.
4)	SWIVEL JOINT	COPPER ALLOY IS: 318, LTB II
5)	NOZZLE	AL. ALLOY IS:617 & AL. PIPE

WORKING PRESSURE : 12 Kg/cm²

HYDRAULIC TEST PRESSURE : 25 Kg/cm²

INLET FLANGE : 100 NB 150# RATING TO ASA / BS SPEC.

FINISH : COMPLETE BODY IS HOT DIP GALVANISED & PAINTED WITH ONE COAT OF PRIMER AND TWO COATS OF ANTICORROSIVE FIRE RED ENAMLE PAINT.

PERFORMANCE DATA:

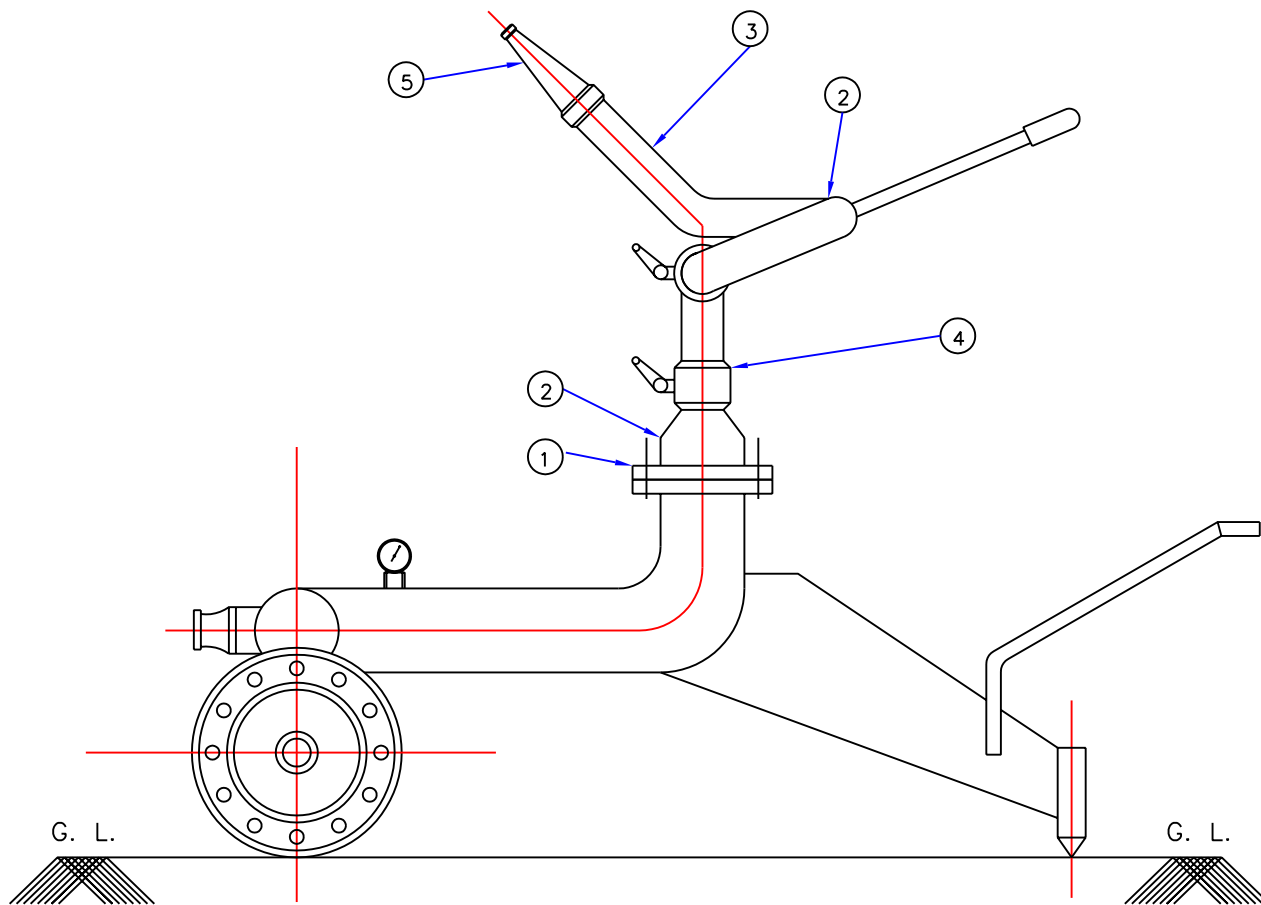
MODEL	SIZE N.B.	CAPACITY @7Kg/cm ²	FOAM EXPANSION	WATER RANGE	FOAM RANGE	FOAM INDUCTION
EP-FM-1500	50 NB	1500 LPM	6 TO 8 TIMES	46 M	42 M	3 TO 6%
EP-FM-1800	65 NB	1800 LPM	6 TO 8 TIMES	55 M	47 M	3 TO 6%
EP-FM-2600	75 NB	2600 LPM	6 TO 8 TIMES	62 M	54 M	3 TO 6%
EP-FM-3500	100 NB	3500 LPM	6 TO 8 TIMES	70 M	65 M	3 TO 6%

EVERSAFE
PROTECTION

FOAM MONITOR

DATA SHEET.NO.

511



MATERIAL OF CONSTRUCTION:

Sr.	DESCRIPTION	MATERIAL SPEC.
1)	BASE FLANGE	M.S. TO IS:226
2)	BENDS & REDUCER	M.S. TO ANSI B 16.9
3)	PIPES	M.S. SEAMLESS 40 SCH.
4)	SWIVEL JOINT	COPPER ALLOY IS: 318, LTB II
5)	NOZZLE	AL. ALLOY IS:617

MAX. WORKING PRESSURE : 15 Kg/cm²
 HYDRAULIC TEST PRESSURE : 25 Kg/cm²
 INLET FLANGE : 100 NB 150# RATING TO ASA /BS/IS SPEC.
 ROTATION : HORIZONTAL = 360° / VERTICAL = +105°, -60°
 FINISH : COMPLETE BODY IS HOT DIP GALVANISED & PAINTED WITH ONE COAT OF PRIMER AND TWO COATS OF ANTICORROSIVE FIRE RED ENAMLE PAINT.

PERFORMANCE DATA: REF. DATA SHEET No.510

MODEL	50 NB	65 NB	75 NB	100 NB
NO. OF INLETS	2	3	4	6

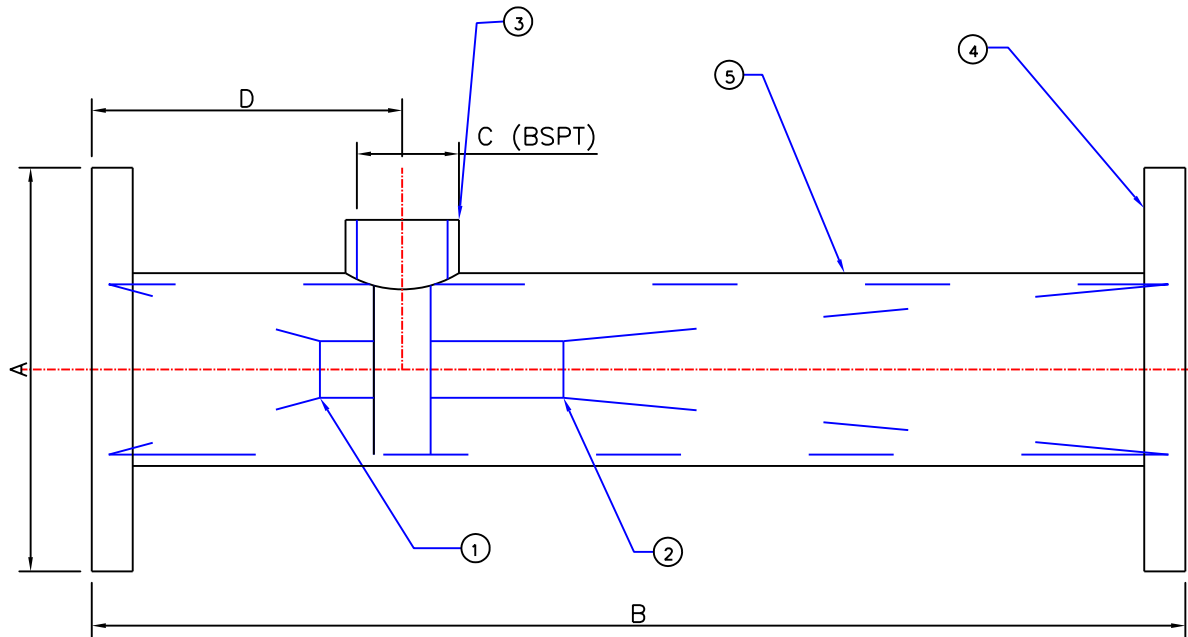
EVERSAFE
PROTECTION

TROLLEY MOUNTED
WATER MONITOR

DATA SHEET.NO.
530

EVERSAFE PROTECTION

FOAM EQUIPMENT



MATERIAL OF CONSTRUCTION:

- 1) PRIMERY NOZZLE : AL. ALLOY GRD.4450 OF IS:617
- 2) SECONDARY NOZZLE : AL. ALLOY GRD.4450 OF IS:617
- 3) COUPLING : C.S. TO ANSI B 16.11
- 4) FLANGE : M.S. PLATE TO IS:226
- 5) PIPE : G.I.M.D. TO IS:1239

- WORKING PRESSURE : 5 TO 10 Kg/cm²
- HYDRAULIC TEST PRESSURE : 18 Kg/cm²
- FINISH : GALVANISED & PAINTED ANTICORROSIVE FIRE RED / YELLOW.

PERFORMANCE DATA:

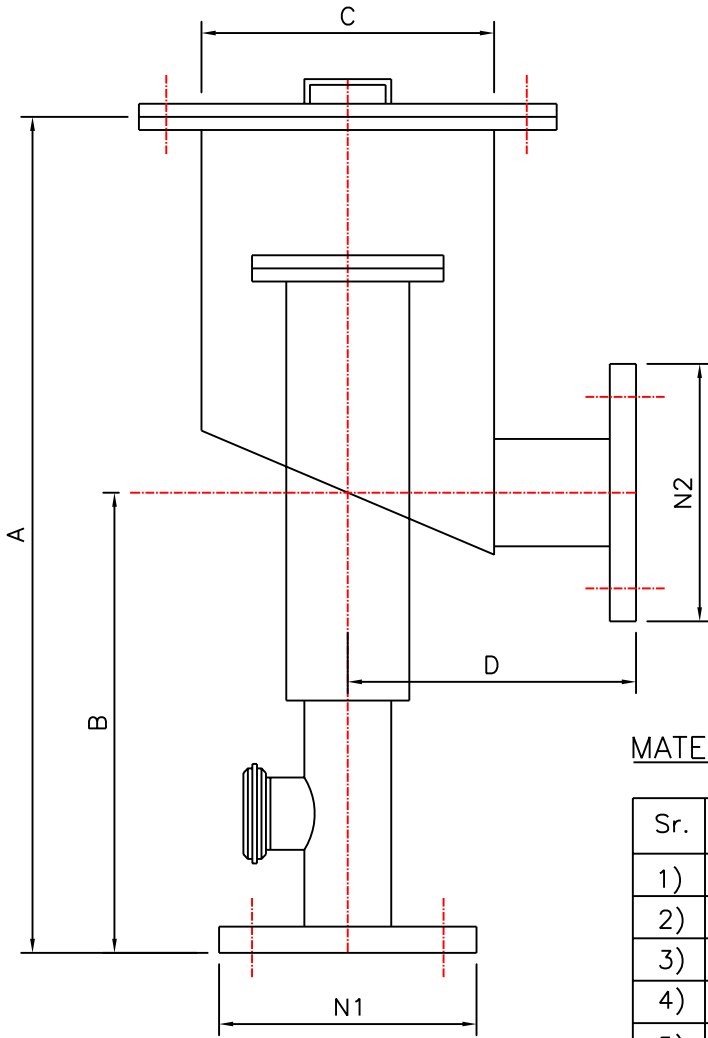
MODEL	WATER FLOW IN LPM @ 7Kg/cm ²	FOAM INDUCTION %	A NB	B mm	C NB	D mm	WEIGHT IN KG
A	75 TO 225	3 - 6	50	300	15	75	6.200
B	225 TO 450	3 - 6	65	350	15	75	10.200
C	450 TO 900	3 - 6	80	400	20	100	15.200
D	900 TO 1800	3 - 6	100	450	25	100	22.000
E	1800 TO 2700	3 - 6	150	500	32	150	23.500

EVERSAFE
PROTECTION

INLINE INDUCTOR

DATA SHEET.NO.

610



MATERIAL OF CONSTRUCTION:

Sr.	DESCRIPTION	MATERIAL SPEC.
1)	FOAM CHAMBER	M.S. TO IS:226
2)	PIPE	M.S.M.D. TO IS:1239
3)	ORIFICE PLATE	BRASS TO IS:410
4)	FLANGES	M.S. PLATE TO IS:226
5)	VAPOURSEAL	GLASS
6)	AIR STRAINER	AL. ALLOY TO IS:617

WORKING PRESSURE : 3 TO 7 Kg/cm²

HYDRAULIC TEST PRESSURE : 15 Kg/cm²

VAPOURSEAL BURST PRESSURE : 1 TO 1.5 Kg/cm²

FINISH : GALVANISED & PAINTED ANTICORROSIVE FIRE RED / YELLOW.

PERFORMANCE DATA:

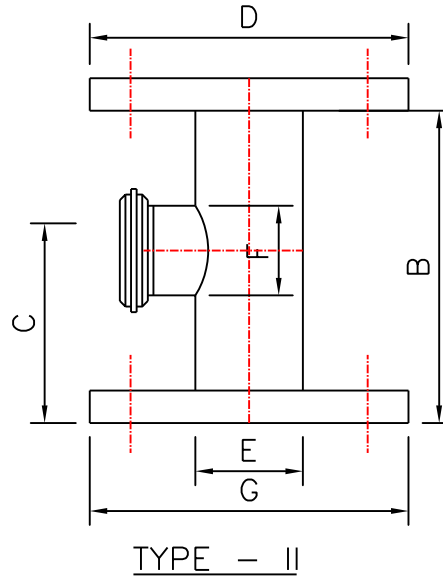
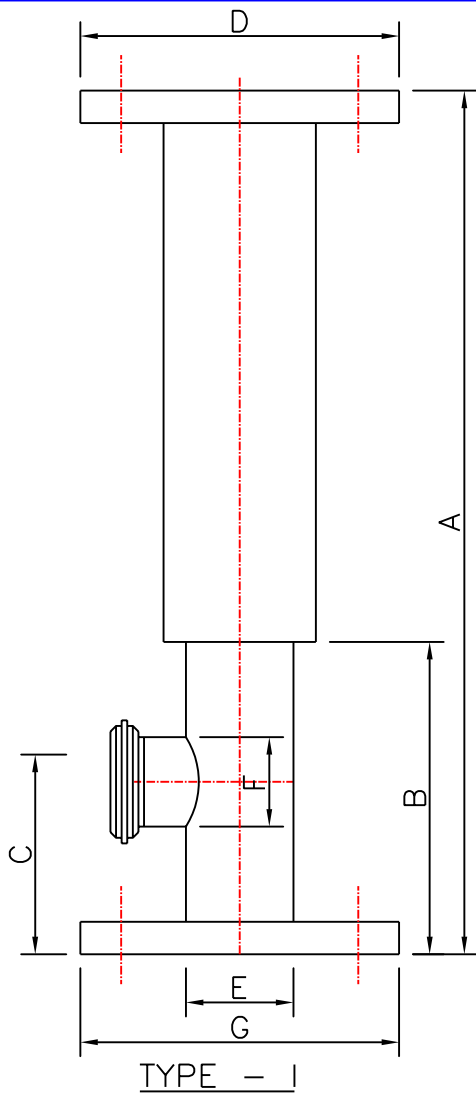
MODEL	WATER FLOW IN LPM @ 7Kg/cm ²	A mm	B mm	C mm	D mm	N1 NB	N2 NB	WEIGHT IN KG
A	75 TO 225	500	260	135	120	50	80	14.000
B	225 TO 450	665	390	200	180	65	100	26.500
C	450 TO 900	820	500	255	230	80	125	39.500
D	900 TO 1800	910	530	310	255	100	150	65.500
E	1800 TO 2700	1090	650	405	305	150	200	108.000

EVERSAFE
PROTECTION

FOAM MAKER WITH
VAPOURSEAL CHAMBER

DATA SHEET.NO.

640



MATERIAL OF CONSTRUCTION:

Sr.	DESCRIPTION	MATERIAL SPEC.
1)	PIPE	M.S.M.D. TO IS:1239
2)	FLANGES	M.S. PLATE TO IS:226
3)	ORIFICE PLATE	BRASS TO IS:410
4)	AIR STRAINER	AL. ALLOY TO IS:617

WORKING PRESSURE : 3 TO 7 Kg/cm²
 HYDRAULIC TEST PRESSURE : 18 Kg/cm²
 FINISH : GALVANISED & PAINTED ANTICORROSIVE FIRE RED / YELLOW.

PERFORMANCE DATA:

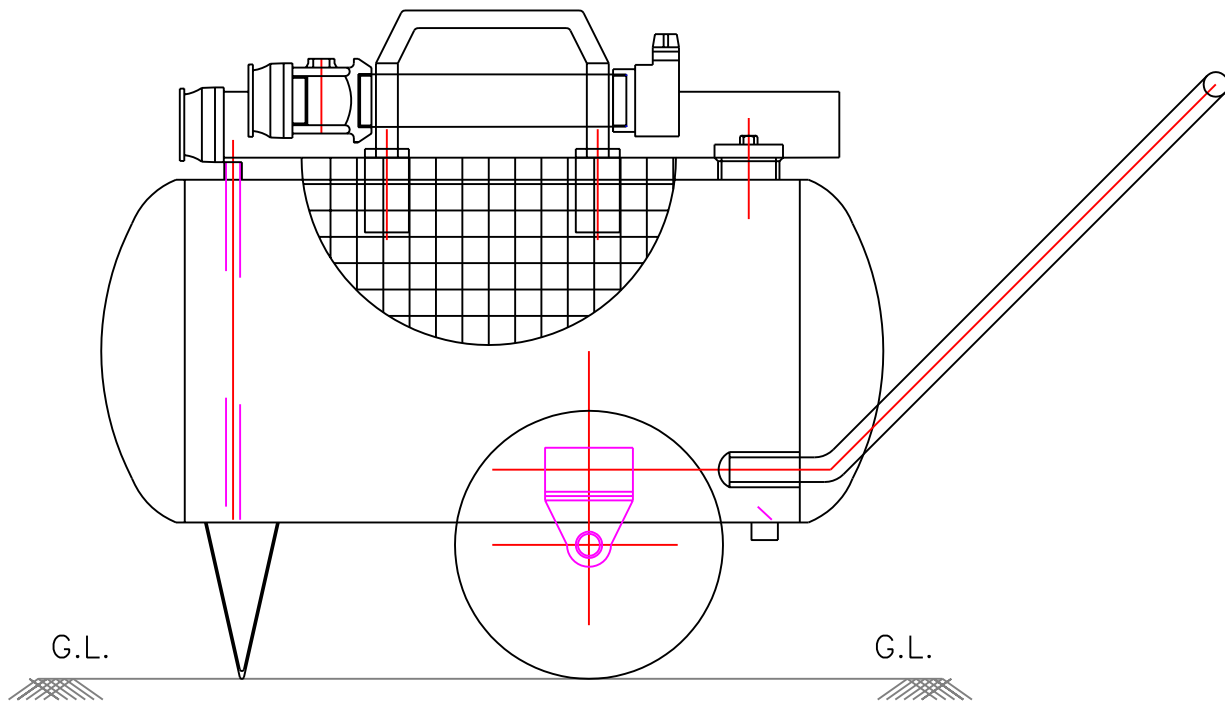
MODEL	WATER FLOW IN LPM @ 7Kg/cm ²	A mm	B mm	C mm	D NB	E mm	F mm	G NB	WEIGHT IN KG
A	75 TO 225	450	150	75	80	50	25	80	9.200
B	225 TO 450	600	185	85	100	65	40	100	14.500
C	450 TO 900	750	230	90	125	80	50	125	22.500
D	900 TO 1800	820	275	110	150	100	65	150	26.000
E	1800 TO 2700	960	325	125	200	150	80	200	41.500

EVERSAFE
PROTECTION

FOAM MAKER

DATA SHEET.NO.

630



SPECIFICATION:

- 1) BODY : M.S. 3.2 mm THK/ S.S. 2 mm THK.
- 2) INLINE INDUCTOR : MODEL A- 225 LPM
: MODEL B- 450 LPM
- 3) FOAM BRANCH : MODEL A- 225 LPM
: MODEL B- 450 LPM
- 4) PICK UP TUBE : IN BUILT WITH NON RETURN VALVE.
- 5) FINISH : YELLOW ENAMEL PAINTED FROM OUT SIDE.
: EPOXY PAINTED FROM INSIDE FOR M.S. BODY
- 6) WEIGHT : WITHOUT FOAM COMPOUND – 70 Kg.

PERFORMANCE DATA:

INLET PRESSURE Kg/cm ²	WATER CAPACITY LPM		FOAM PRODUCED LPM		RANGE METERS	
	A	B	A	B	A	B
5	190	386	1900	3865	12	15
7	225	450	2250	4500	18	20
9	255	520	2550	5200	20	22
10	270	565	2700	5650	21	23

OPERATING INSTRUCTION:

- 1) CONNECT WATER SUPPLY HOSE FROM HYDRANT TO INDUCTOR .
- 2) CONNECT HOSE FROM INDUCTOR TO BRANCH PIPE AND RUN OUT HOSE WITH BRANCH PIPE.
- 3) OPEN HYDRANT VALVE TO SUPPLY WATER TO INDUCTOR.
- 4) FOAM LIQUID WILL MIX WITH WATER, AND GIDE FOAM ON FIRE.

EVERSAFE
PROTECTION

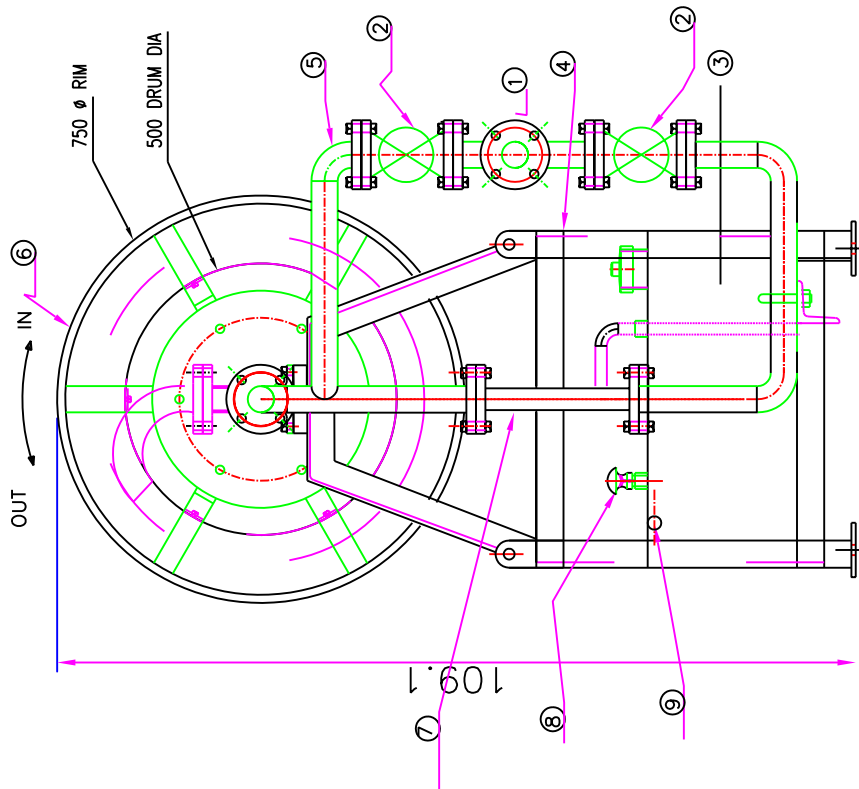
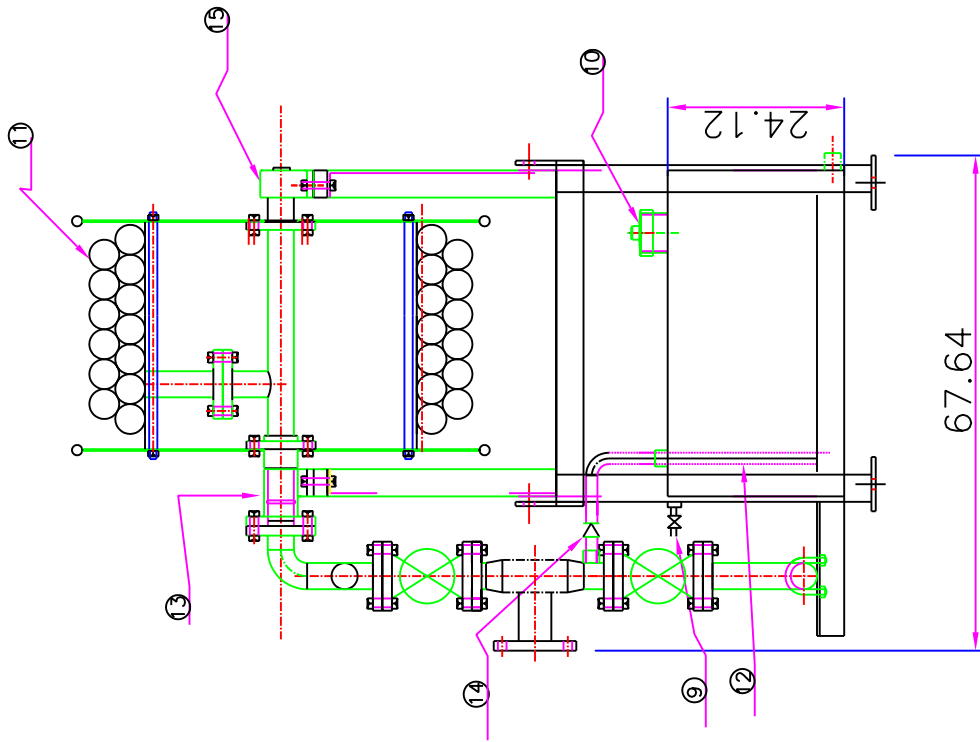
MOBILE FOAM TROLLEY
EFT-100

DATA SHEET.NO.

642

EVERSAFE PROTECTION

HOSE REELS



EMPTY WT.(APPROX.): 270Kg.

EVERSAFE
PROTECTION

FIRE WATER AND FOAM
HOSE REEL

DATA SHEET.NO.

403-A